

**Modular Cooking Range Line  
EVO700 4-Hot Plates Electric  
Boiling Top Range on Electric Oven**

ITEM # \_\_\_\_\_

MODEL # \_\_\_\_\_

NAME # \_\_\_\_\_

SIS # \_\_\_\_\_

AIA # \_\_\_\_\_

**372016 (Z7ECEH4RE0)**4-hot plate (2,6 kW each)  
electric range on electric oven  
(6 kW)**372128 (Z7ECEH4REN)**4-hot plate (2,6 kW each)  
electric range on electric oven  
(6 kW)**Short Form Specification****Item No.** \_\_\_\_\_

To be installed on stainless steel feet with height adjustment up to 50 mm. Four 2.6 kW cast-iron hot plates hermetically sealed to the one-piece top. Stainless steel oven chamber with 3 levels of runners to accommodate 2/1 GN shelves (2 steam pans). Ribbed oven base plate. Exterior panels in stainless steel with Scotch Brite finish. One piece pressed work top in 1.5 mm thick stainless steel. Right-angled side edges to allow flush-fitting junction between units.

**Main Features**

- The four round 2.6kW cast-iron plates are hermetically sealed to the one-piece top.
- Base compartment consists of an electric standard oven with thick oven door for heat insulation, positioned beneath the base plate.
- Electric oven to have separate thermostats for top and bottom heating elements.
- Stainless steel oven chamber with 3 levels of runners to accommodate 2/1 GN shelves (2 steam pans).
- Ribbed enamelled steel oven base plate.
- Oven thermostat adjustable from 140 °C to 300 °C.
- The special design of the control knob system guarantees against water infiltration.
- IPx4 water protection.

**Construction**

- All exterior panels in Stainless Steel with Scotch Brite finishing.
- One piece pressed 1.5 mm work top in Stainless steel.
- Model has right-angled side edges to allow flush fitting joints between units, eliminating gaps and possible dirt traps.

APPROVAL: \_\_\_\_\_

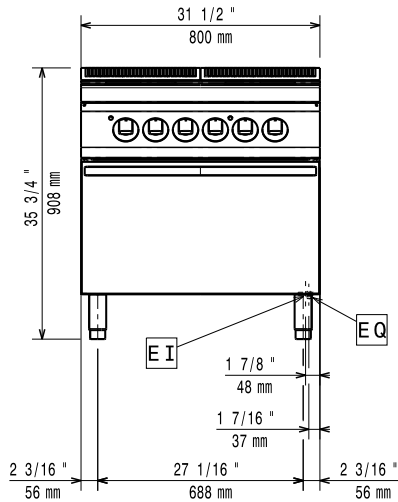
## Included Accessories

- 1 of GN2/1 chrome grid for static oven PNC 164250

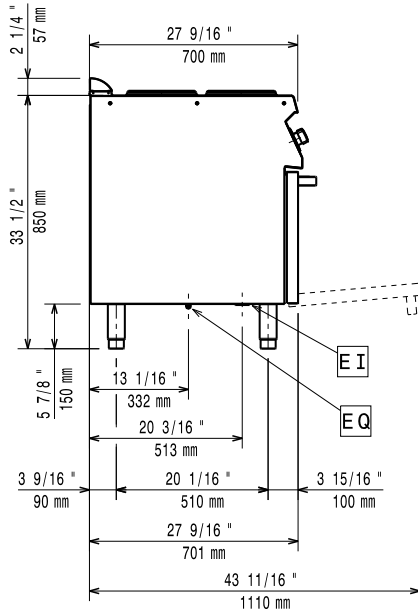
## Optional Accessories

- GN2/1 chrome grid for static oven PNC 164250
- Junction sealing kit PNC 206086
- 4 wheels, 2 swivelling with brake (EVO700/900). It is mandatory to install with base supports for feet/wheels. PNC 206135
- Flanged feet kit PNC 206136
- Frontal kicking strip for concrete installation, 800 mm PNC 206148
- Frontal kicking strip for concrete installation, 1000 mm PNC 206150
- Frontal kicking strip for concrete installation, 1200 mm PNC 206151
- Frontal kicking strip for concrete installation, 1600 mm PNC 206152
- Frontal handrail 800 mm PNC 206167
- Frontal kicking strip, 800 mm PNC 206176
- Frontal kicking strip, 1000 mm PNC 206177
- Frontal kicking strip, 1200 mm PNC 206178
- Frontal kicking strip, 1600 mm PNC 206179
- Large handrail (portioning shelf) 800 mm PNC 206186
- Frontal handrail 1200 mm PNC 206191
- Frontal handrail 1600 mm PNC 206192
- 4 feet for concrete installation (not for 900 line freestanding grill) PNC 206210
- Right and left side handrails PNC 206240
- Pair of side kicking strips PNC 206249
- Pair of side kicking strips (concrete installation) PNC 206265
- Water column with swivel arm (water column extension not included) PNC 206289
- Water column extension PNC 206291
- Chimney upstand, 800 mm PNC 206304
- 2 side covering panels, height 700 mm, depth 700 mm PNC 206319
- Base support for feet or wheels - 800mm (EVO700/900) PNC 206367
- Base support for feet or wheels - 1200mm (EVO700/EVO900) PNC 206368
- Base support for feet or wheels - 1600mm (EVO700/900) PNC 206369
- Rear paneling - 800mm (EVO700/900) PNC 206374
- Rear paneling - 1000mm (EVO700/900) PNC 206375
- Rear paneling - 1200mm (EVO700/900) PNC 206376
- Chimney grid net, 400mm PNC 206400

**Front**

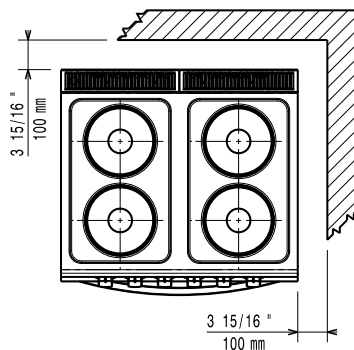


**Side**



EI = Electrical inlet (power)  
EQ = Equipotential screw

**Top**



**Electric**

**Supply voltage:**

372016 (Z7ECEH4RE0)	380-400 V/3 ph/50/60 Hz
372128 (Z7ECEH4REN)	230 V/3 ph/50/60 Hz

**Total Watts:**

16.4 kW

**Predisposed for:**

372016 (Z7ECEH4RE0)	380-400V 3~ 50/60Hz 14,6-16,4kW
---------------------	------------------------------------

**Key Information:**

<b>Front Plates Power:</b>	2.6 - 2.6 kW
<b>Back Plates Power:</b>	2.6 - 2.6 kW
<b>Front Plates dimensions:</b>	Ø 230 Ø 230
<b>Back Plates dimensions:</b>	Ø 230 Ø 230
<b>Oven working Temperature:</b>	140 °C MIN; 300 °C MAX
<b>Oven Cavity Dimensions (width):</b>	540 mm
<b>Oven Cavity Dimensions (height):</b>	300 mm
<b>Oven Cavity Dimensions (depth):</b>	650 mm
<b>Net weight:</b>	80 kg

**Shipping weight:**

372016 (Z7ECEH4RE0)	93 kg
372128 (Z7ECEH4REN)	95 kg

**Shipping height:**

372016 (Z7ECEH4RE0)	1080 mm
372128 (Z7ECEH4REN)	1140 mm

**Shipping width:**

820 mm

**Shipping depth:**

860 mm

**Shipping volume:**

372016 (Z7ECEH4RE0)	0.76 m <sup>3</sup>
372128 (Z7ECEH4REN)	0.8 m <sup>3</sup>

If appliance is set up or next to or against temperature sensitive furniture or similar, a safety gap of approximately 150 mm should be maintained or some form of heat insulation fitted.

**Certification group:**

372016 (Z7ECEH4RE0)	EH740
372128 (Z7ECEH4REN)	N7CE1